

5000-50.0510.2H
MMSB06-01-06G-A

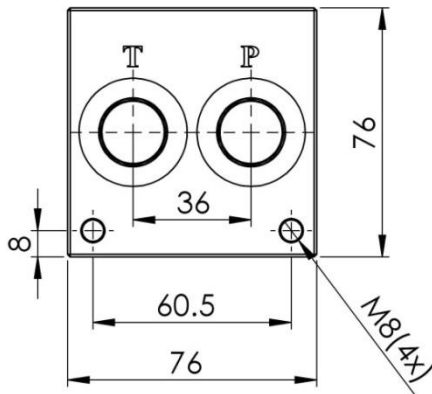
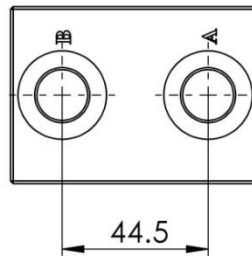
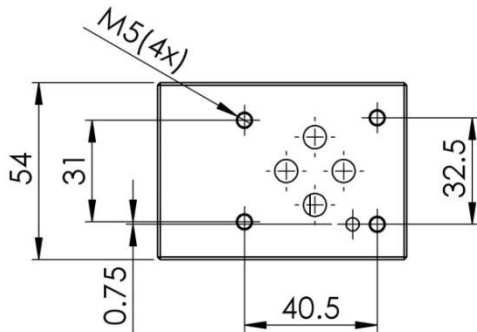
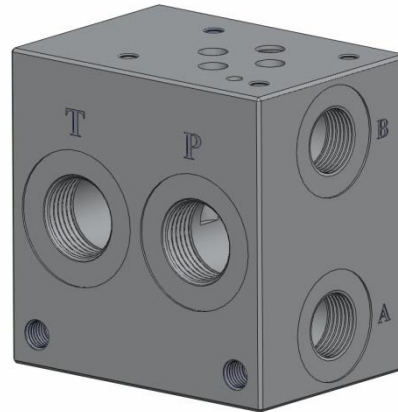
CETOP MODULAR VERSION

CETOP 03 (NG06)

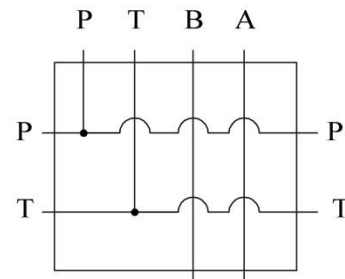
P max.: 250 bar

Q max.: 60l/min

Material: Aluminum



Oil circuit



TYPE	P(BSPP)	T(BSPP)	A(BSPP)	B(BSPP)	Wt. Approx.(kg)
MMSB06-01-06-GA	1/2"	1/2"	3/8"	3/8"	0.8

HYDRAULIC FLUIDS

Use mineral oil-base hydraulic fluids, with suitable anti-frothing and anti-oxidizing agents.